

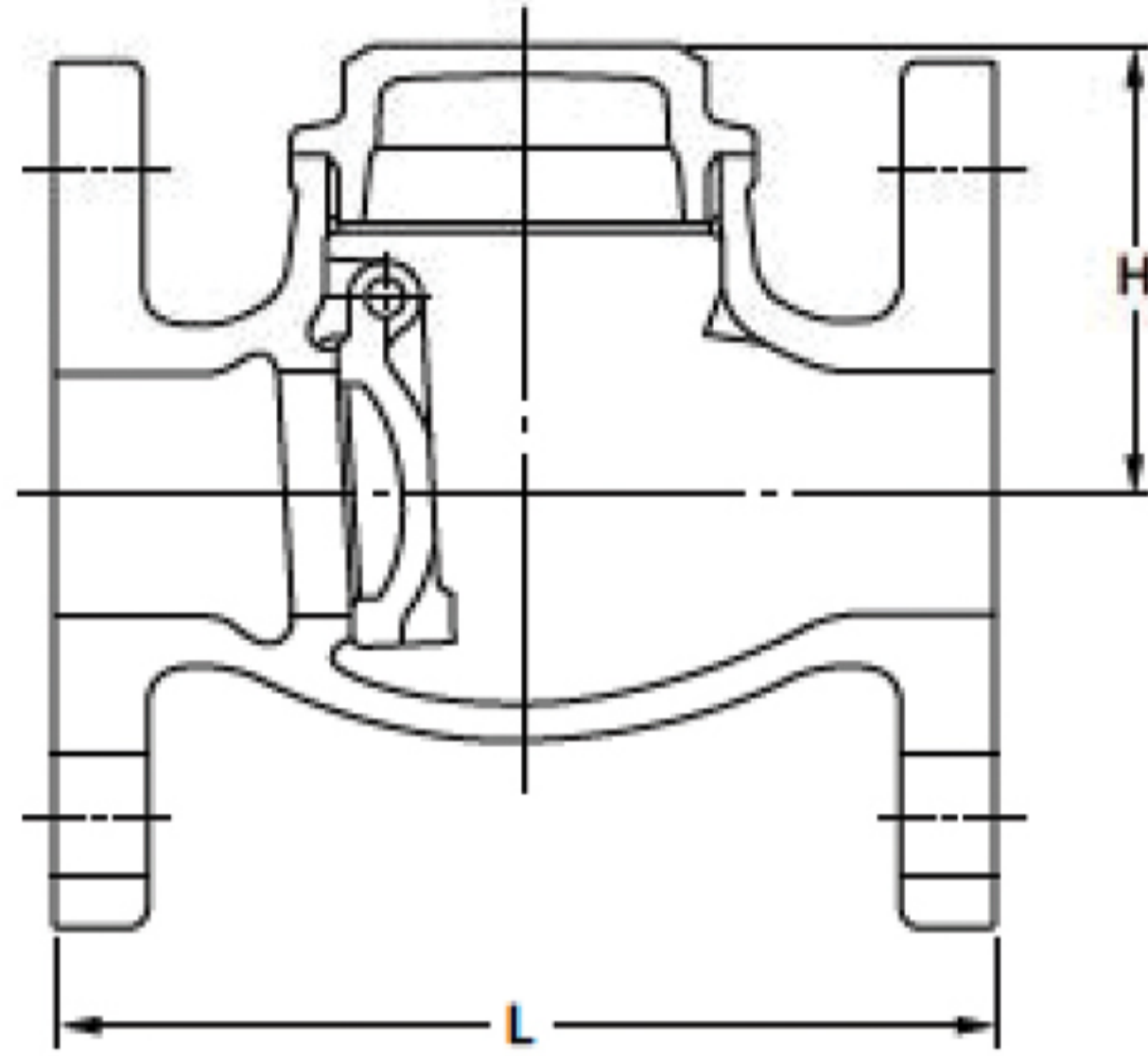
10K

SWING CHECK VALVE

Pressure-Temperature Rating: 1.0 MPa: 180°C

UOBM

Parts	UOB	UOBM
Body	SCS13A	SCS14A
Cap	SCS13A/SUS304	SCS14A/SUS316
Disc	SCS13A	SCS14A
Hinge pin	SUS304	SUS316
Plug	SUS304	SUS316



Face to face dimensions: JIS B2002 *Except flange thickness
 End flange dimensions: JIS B2220*
 Wall thickness: KITZ Std.

Nominal Size	Unit: mm							
	1/2	3/4	1	1 1/4	1 1/2	2	2 1/2	3
L	85	95	110	130	150	180	210	240
H	45	55	61	71	72	81	93	104